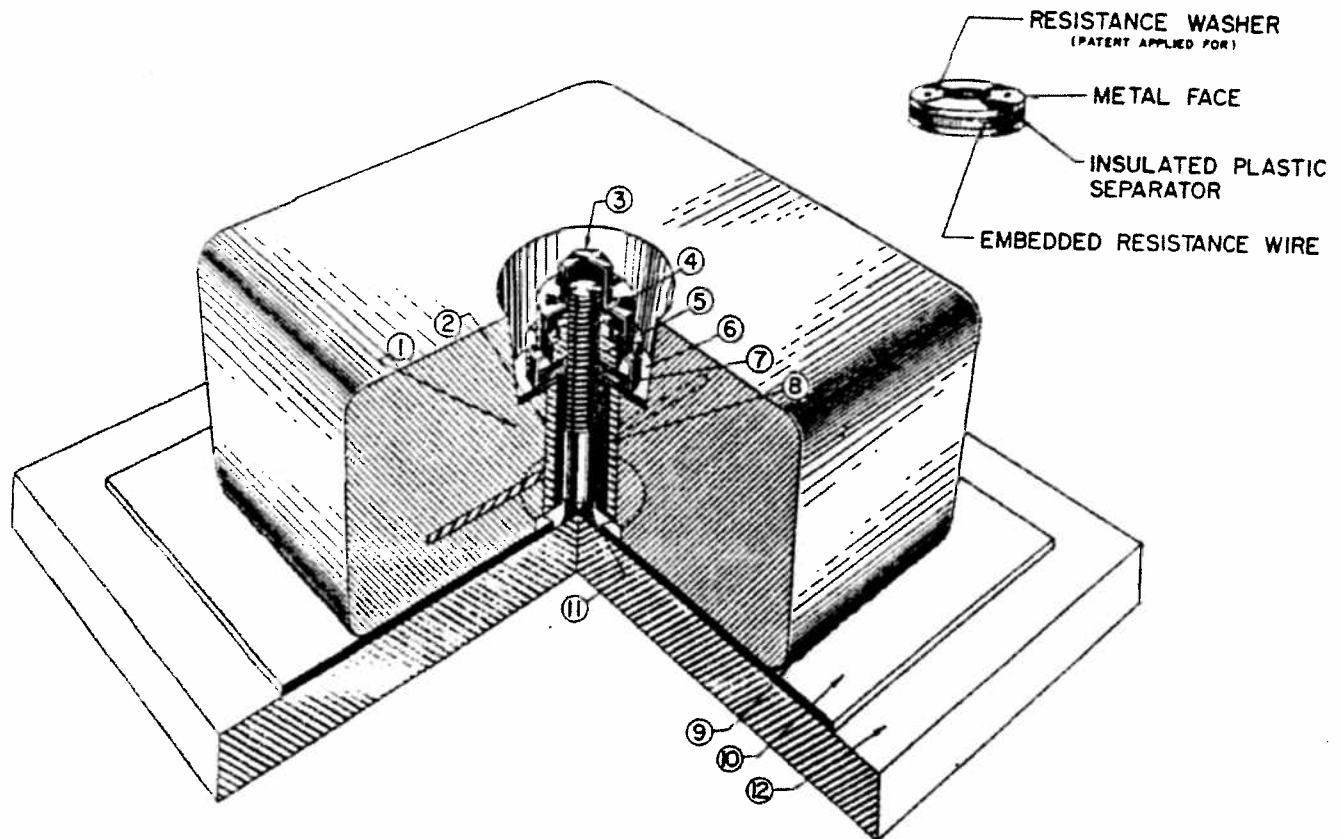


MAGNESIUM ANODE (GALVOSLAB) CONDENSER HEAD INSTALLATION

(USING CURRENT RESTRICTOR)



- 1 & 2. 15S GALVOSLAB ANODE, APPROX. 8" x 8" x 4", HAVING (2) 1 29/32" x 3/4" PIPE CORE CAST IN CENTER WITH 1/8" DIAMETER CROSS BAR WELDED TO CORE AND EMBEDDED IN ANODE.
3. PLASTIC STUD PROTECTOR, 1/2", 13 THREADS PER INCH.
4. 1/2" STAINLESS STEEL STUD, EXTENDING 3 5/8" ABOVE SURFACE.
5. 1/2", 13 THREAD FLEX-LOC NUT.
6. RUBBER GASKET FOR PLASTIC STUD PROTECTOR.
7. RESISTANCE WASHER.
8. RUBBER TUBING, 2" LONG, 1/2" I.D., 1/16" WALL THICKNESS.
9. GASKET SEALER COMPOUND RUSTBAR NO. 327 RECOMMENDED.
10. 1/16" SHEET RUBBER, 10" x 10" WITH 1/2" ϕ HOLE AT CENTER
11. TYPE 18-8 STAINLESS STEEL STUD ATTACHMENT
12. PROTECTED SURFACE.

{ TO STEEL—FILLET WELD USING TYPE 310 STAINLESS STEEL ELECTRODE AT 70-100 AMP.
TO CAST IRON—DRILL AND TAP IN CAST IRON SURFACE (NOTE:
EXTRA STUD LENGTH REQUIRED FOR TAPPING.)